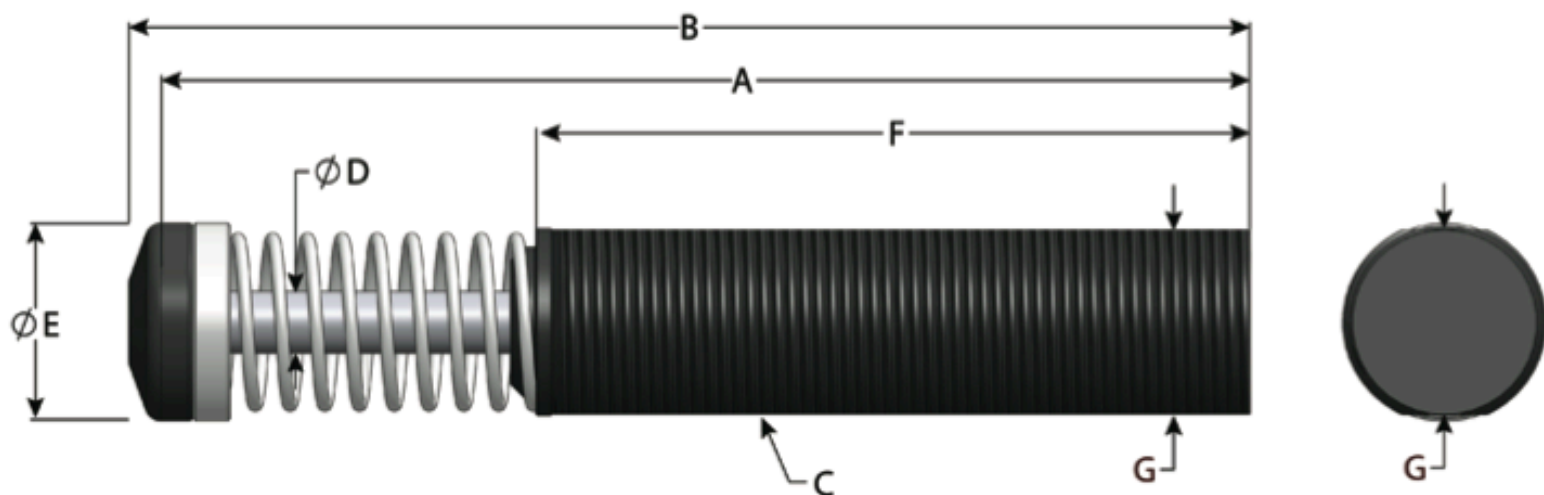


MODEL	Length without Button (A)	Length with Button (B)	Thread (C)	Rod Dia. (D)	Button Dia. (E)	Cylinder (F)	Flat Width (G)
C0080 IF	1.66	2.08	3/8 - 32 UNEF	0.098	0.27	1.61	-
C0100 IF	2.31	2.58	7/16 - 28 UNEF	0.118	0.34	1.95	0.38
C0150 IF	2.31	2.68	7/16 - 28 UNEF	0.118	0.40	2.81	0.39
C0150 IC			1/2 - 20 UNF				0.44
C0250 IF	3.76	4.14	1/2 - 20 UNF	0.157	0.40	3.10	0.44
C0250 IC			9/16 - 18 UNF				0.47
C0500 IF	4.68	5.15	3/4 - 16 UNF	0.197	0.50	3.77	0.67
C1000 IF	4.82	5.32	1 - 12 UNF	0.250	0.62	3.81	0.90



MODEL	Length without Button (A)	Length with Button (B)	Thread (C)	Rod Dia. (D)	Button Dia. (E)	Cylinder (F)	Flat Width (G)
C1115 IF	5.66	5.81	1 1/4 - 12 UNF	0.375	1.20	3.37	1.12
C1125 IF	5.66	5.81	1 3/8 - 12 UNF	0.375	1.20	3.37	1.25
C2115 IF	8.26	8.41	1 1/4 - 12 UNF	0.375	1.20	4.97	1.12
C2125 IF	8.26	8.41	1 3/8 - 12 UNF	0.375	1.20	4.97	1.25